



Seal Type 31 - Conical Spring (EN 12756)

PRODUCT DESCRIPTION

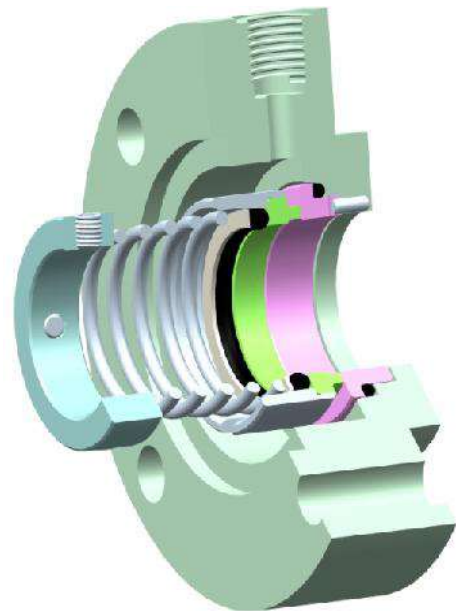
Seal type 31 looking from Sliding Face of the Rotating Seal Ring is designed as Right Hand Shaft Rotation which needs Right Hand Spring and Vice Versa. These Seals are Cost Effective Seals for Basic Application Equipment such as Centrifugal Pump and other Equipment with Rotating Shaft, Handling Water, Oils, Fuels, Mild Chemicals and Liquids Containing of Low Quantity of Abrasive.

DESIGN FEATURES

Conical Single Coil Spring Mechanical Seal. Inside mounted. Unbalanced Pusher Mechanical Seals. Spring design depended on Shaft Rotation with Central Tapered Spring.

MATERIALS

Seal Ring Faces : Carbon, SiC and TC
Seat Faces : NiR, Ceramic, SiC and TC
Elastomer : Viton, Neoprene, EPDM, NBR and Buna-N
MOC : SS 316

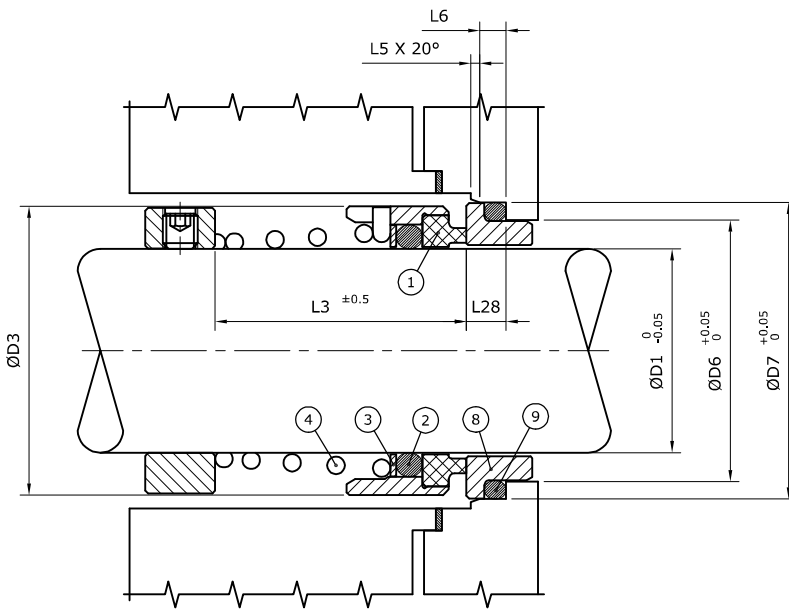


OPERATING CAPABILITIES

Shaft Dia. : 10mm to 100mm
Pressure : Up to 7 bar
Temperature: -20°C to 140°C
Speed : 3000 r.p.m.

Type - 31

Conical Spring



| Part No. | Description |
|----------|-------------|
| 1 | Seal Ring |
| 2 | O-Ring |
| 3 | Thrust Ring |
| 4 | Spring |
| 8 | Seat |
| 9 | O-Ring |

| SEAL SIZE | | | | | | | |
|-----------|-------|------|-------|------|-----|-----|------|
| D1 | D3 | D6 | D7 | L3 | L5 | L6 | L28 |
| 10.0 | 20.0 | 17.0 | 21.0 | 17.5 | 1.5 | 4.0 | 6.6 |
| 12.0 | 22.0 | 19.0 | 23.0 | 17.5 | 1.5 | 4.0 | 6.6 |
| 14.0 | 24.0 | 21.0 | 25.0 | 17.5 | 1.5 | 4.0 | 6.6 |
| 16.0 | 26.0 | 23.0 | 27.0 | 19.5 | 1.5 | 4.0 | 6.6 |
| 18.0 | 31.0 | 27.0 | 33.0 | 20.5 | 2.0 | 5.0 | 7.5 |
| 20.0 | 34.0 | 29.0 | 35.0 | 22.0 | 2.0 | 5.0 | 7.5 |
| 22.0 | 36.0 | 31.0 | 37.0 | 23.5 | 2.0 | 5.0 | 7.5 |
| 24.0 | 38.0 | 33.0 | 39.0 | 25.0 | 2.0 | 5.0 | 7.5 |
| 25.0 | 39.0 | 34.0 | 40.0 | 26.5 | 2.0 | 5.0 | 7.5 |
| 28.0 | 42.0 | 37.0 | 43.0 | 26.5 | 2.0 | 5.0 | 7.5 |
| 30.0 | 44.0 | 39.0 | 45.0 | 27.0 | 2.0 | 5.0 | 7.5 |
| 32.0 | 46.0 | 42.0 | 48.0 | 28.5 | 2.0 | 5.0 | 7.5 |
| 33.0 | 47.0 | 42.0 | 48.0 | 28.5 | 2.0 | 5.0 | 7.5 |
| 35.0 | 49.0 | 44.0 | 50.0 | 28.5 | 2.0 | 5.0 | 7.5 |
| 38.0 | 54.0 | 49.0 | 56.0 | 32.0 | 2.0 | 6.0 | 9.0 |
| 40.0 | 56.0 | 51.0 | 58.0 | 34.5 | 2.0 | 6.0 | 9.0 |
| 43.0 | 59.0 | 54.0 | 61.0 | 37.0 | 2.0 | 6.0 | 9.0 |
| 45.0 | 61.0 | 56.0 | 63.0 | 39.0 | 2.0 | 6.0 | 9.0 |
| 48.0 | 64.0 | 59.0 | 66.0 | 44.5 | 2.0 | 6.0 | 9.0 |
| 50.0 | 66.0 | 62.0 | 70.0 | 45.5 | 2.5 | 6.0 | 9.5 |
| 53.0 | 69.0 | 65.0 | 73.0 | 45.5 | 2.5 | 6.0 | 11.0 |
| 55.0 | 71.0 | 67.0 | 75.0 | 49.0 | 2.5 | 6.0 | 11.0 |
| 58.0 | 78.0 | 70.0 | 78.0 | 52.0 | 2.5 | 6.0 | 11.0 |
| 60.0 | 79.0 | 72.0 | 80.0 | 55.0 | 2.5 | 6.0 | 11.0 |
| 63.0 | 83.0 | 75.0 | 83.0 | 55.0 | 2.5 | 6.0 | 11.0 |
| 65.0 | 85.0 | 77.0 | 85.0 | 55.0 | 2.5 | 6.0 | 11.0 |
| 68.0 | 88.0 | 81.0 | 90.0 | 55.0 | 2.5 | 7.0 | 11.3 |
| 70.0 | 90.0 | 83.0 | 92.0 | 56.5 | 2.5 | 7.0 | 11.3 |
| 75.0 | 98.0 | 88.0 | 97.0 | 56.5 | 2.5 | 7.0 | 11.3 |
| 80.0 | 103.0 | 95.0 | 105.0 | 59.5 | 3.0 | 7.0 | 12.0 |

Due to continuous improvement specifications and dimensions may change without prior notice.